

FCW COMPACT

CIRCULAR WELDING SYSTEM

PLASMA
MIG-MAG / CMT
TIG / ARCTIG



COMPACT AND VERSATILE

- / Compact circular welding system
- / High performance welding packages available
- / Easy adaptation to different part geometries
- / Motorized weld head for automatic start position, touch & retract, AVC/ASC torch distance control and torch oscillation
- / Single- and dual weld head version available



HIGH-END SYSTEM CONTROLLER

- / Central control unit for the entire system
- / Realtime process visualization
- / Data documentation for quality management

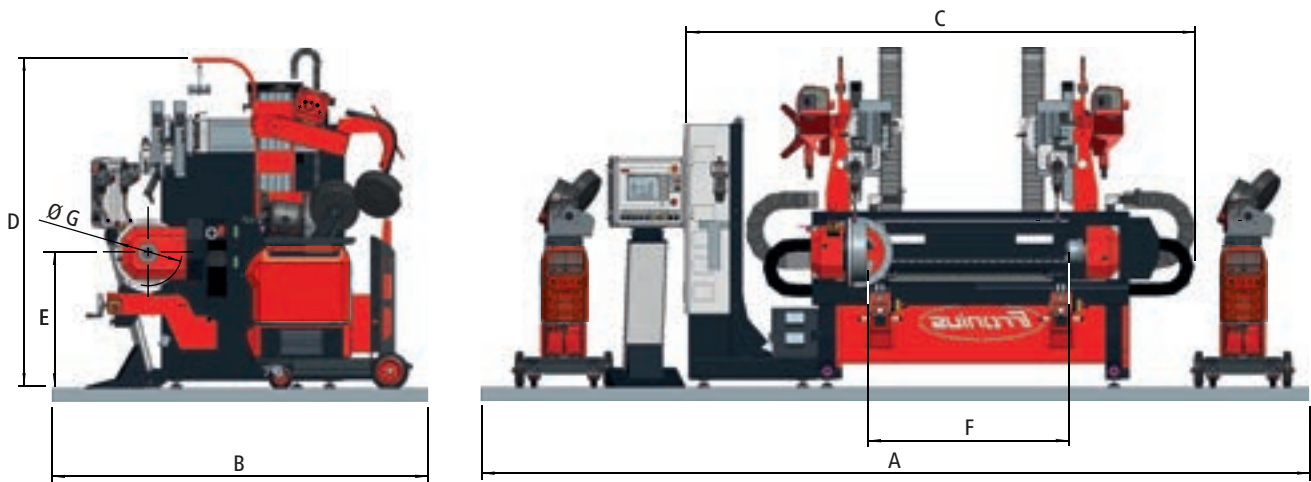
APPLICATIONS

- / Tank- and vessel construction
- / Pipe connections (tube-tube, tube-ellbow, tube-flange)



COMPONENT DATA

Component diameter range	50 - 500 mm
Max. component length (according to model variant)	1000 / 3000 / 4000 / 6000 mm
Max. component weight	300 kg



TECHNICAL DATA	FCW COMPACT SINGLE 1000 / 3000 / 4000 / 6000	FCW COMPACT DUAL 1000 / 3000 / 4000 / 6000
Mains	3 x 400V , 50 - 60 HZ	
Space requirement (A)	4500 / 6500 / 7500 / 9500 mm	5500 / 7500 / 8500 / 10500 mm
Space requirement (B)	2500 mm	
Length (C)	3040 / 5040 / 6040 / 8040 mm	3378 / 5378 / 6378 / 7378 mm
Height (D)	2182 mm	
Working height (E)	893 mm	
Max. component length (F)	1000 / 3000 / 4000 / 6000 mm	
Face plate Ø (G)	450 mm	



/ FCW Compact Dual (2 weld heads and tailstock)

/ Perfect Welding / Solar Energy / Perfect Charging

THREE BUSINESS UNITS, ONE GOAL: TO SET THE STANDARD THROUGH TECHNOLOGICAL ADVANCEMENT.

What began in 1945 as a one-man operation now sets technological standards in the fields of welding technology, photovoltaics and battery charging. Today, the company has around 5,440 employees worldwide and 1,264 patents for product development show the innovative spirit within the company. Sustainable development means for us to implement environmentally relevant and social aspects equally with economic factors. Our goal has remained constant throughout: to be the innovation leader.

Further information about all Fronius products and our global sales partners and representatives can be found at www.fronius.com

Fronius Canada Ltd.
2875 Argentia Road, Units 4,5 & 6
Mississauga, ON L5N 8G6
Canada
Telephone +1 905 288-2100
Fax +1 905 288-2101
sales.canada@fronius.com
www.fronius.ca

Fronius USA LLC
6797 Fronius Drive
Portage, IN 46368
USA
Telephone +1 877 FRONIUS
sales.usa@fronius.com
www.fronius-usa.com

Fronius UK Limited
Maidstone Road, Kingston
Milton Keynes, MK10 0BD
United Kingdom
Telephone +44 1908 512 300
Fax +44 1908 512 329
info-uk@fronius.com
www.fronius.co.uk

Fronius International GmbH
Froniusplatz 1
4600 Wels
Austria
Telephone +43 7242 241-0
Fax +43 7242 241-953940
sales@fronius.com
www.fronius.com