



FCP 600-2 – 1600-2

/ Linear seam welder Type 2
/ TIG / ArcTIG / Plasma / CMT / MIG/MAG



Linear seam welders FCP 600 - 1600-2 are special for welding longitudinal seams of rounded plates with a thickness of 0,3–3,0 mm and length up to 1600 mm

FEATURES

- / Welding processes: TIG, ArcTig, Plasma, CMT, MIG/MAG
- / Carriage with distance measuring system
- / Wire feeder stationary or mounted on carriage
- / Pneumatic torch motion
- / Pneumatic clamping system with self adjusting clamp fingers
- / Copper clamp fingers
- / Continuous center stop for parts positioning
- / Backing track fitted with holes for forming gas, prepared for water cooling
- / Mandrel in untreated steel
- / Pneumatic security mandrel latch
- / 3-way foot switch für clamping system and mandrel latch
- / HMI-T5 system controller with 5" touch screen, stationary or on carriage

ACCESSORIES & OPTIONS

- / Raised machine body
- / Height adjustable insertion guide
- / Stepped mandrel
- / Workpiece stopper
- / Clamp fingers and backing track in stainless steel
- / AVC / OSC function
- / Laser pointer as centering support
- / LED lamp
- / High performance water cooler for the backing track



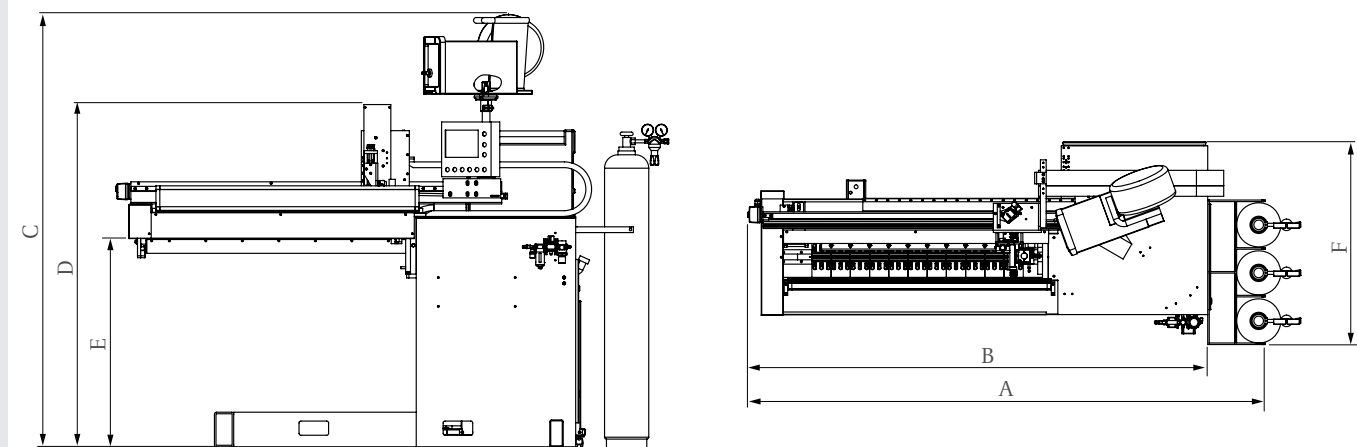
/ Backing track with forming gas holes



/ HMI system controller



/ Optional insertion support, height adjustable



TECHNICAL DATA

	FCP 600-2	FCP 1100-2	FCP 1300-2	FCP 1600-2
Maximum parts length / welding length	600 mm	1100 mm	1300 mm	1600 mm
Maximum parts outer diameter	800 mm			
Minimum parts inside diameter (type 2)	50 mm	80 mm	90 mm	100 mm
Material thickness (type 2)	0,3 - 3,0 mm			
Minimum parts inside diameter (type 2S)	80 mm	115 mm	125 mm	140 mm
Material thickness (type 2S)	0,5 - 10,0 mm			
Welding speed range	5 - 500 cm/ min			
Mains	400 / 230 V / 3 / N / PE 50 Hz			
Compressed air supply	6 bar			
Environment temperature	+10°C bis +35°C			
DIMENSIONS				
A (Length with gas cylinder holder)	2192 mm	2692 mm	3086 mm	3336 mm
B (Length without gas cylinder holder)	1892 mm	2392 mm	2786 mm	3036 mm
C (Height with wire feeder)	2121 mm	2260 mm	2275 mm	2340 mm
D (Height without wire feeder)	1792 mm	1909 mm	1935 mm	1989 mm
E (Mandrel top edge)	1092 mm	1092 mm	1095 mm	1092 mm
F (width with gas cylinder holder)	1056 mm	1056 mm	1056 mm	1056 mm
Net weight (approx.)	800 kg	900 kg	1100 kg	1400 kg

/ Perfect Welding / Solar Energy / Perfect Charging

THREE BUSINESS UNITS, ONE GOAL: TO SET THE STANDARD THROUGH TECHNOLOGICAL ADVANCEMENT.

What began in 1945 as a one-man operation now sets technological standards in the fields of welding technology, photovoltaics and battery charging. Today, the company has around 4,760 employees worldwide and 1,253 patents for product development show the innovative spirit within the company. Sustainable development means for us to implement environmentally relevant and social aspects equally with economic factors. Our goal has remained constant throughout: to be the innovation leader.

Further information about all Fronius products and our global sales partners and representatives can be found at www.fronius.com

Fronius Canada Ltd.
2875 Argentia Road, Units 4,5 & 6
Mississauga, ON L5N 8G6
Canada
Telephone +1 905 288-2100
Fax +1 905 288-2101
sales.canada@fronius.com
www.fronius.ca

Fronius USA LLC
6797 Fronius Drive
Portage, IN 46368
USA
Telephone +1 877 FRONIUS
sales.usa@fronius.com
www.fronius-usa.com

Fronius UK Limited
Maidstone Road, Kingston
Milton Keynes, MK10 0BD
United Kingdom
Telephone +44 1908 512 300
Fax +44 1908 512 329
info-uk@fronius.com
www.fronius.co.uk

Fronius International GmbH
Froniusplatz 1
4600 Wels
Austria
Telephone +43 7242 241-0
Fax +43 7242 241-953940
sales@fronius.com
www.fronius.com