

WELD HEADS

FOH 8-40 / 10-76 / 20-114 / 40-168

/ TIG Orbital welding with or without filler wire



/ Open weld heads for mechanized TIG Orbital welding of tube connections (outer diameter 8 - 168 mm / 0.31 - 6.61 in) made of steel, stainless steel, titanium, austenite nickel-chromium-based superalloys, aluminum and other materials in application areas: energy, biochemical industry, food industry, shipbuilding, aerospace and aeronautics etc...

FEATURES

- / FOH weld head including up to 2 sets reducer jaws (depending on weld head type)
- / Integrated servomotor
- / Automatic drive to opening position
- / Free definable starting position
- / Automatic drive stop when overloaded
- / Stepless adjustable clamping-/centering system for quick adaptation to different tube diameters
- / Mechanical tube tracking for constant electrode distance
- / Torch bracket 0 - 45° stepless swivelling
- / Manual side adjustment of the electrode
- / Swivelling torch holder with fixation
- / Plugable control line 6 m (236.22 in)
- / Orbital welding torch with insulated torch body and high duty cycle

- / Ideal gas protection to avoid coloration
- / Torch with comfortable wear part changing system
- / Transport case with trolley-system

ACCESSORIES

- / Orbital welding torch TTGO F++/ 5 m (196.85 in)
- / Orbital welding torch TTWO 2000 F++/ 5 m (196.85 in) (not useable with FOH 8-40)
- / Wear part box for torches
- / Extension hose pack FCH / FOH 10 m (393.70 in)
- / Wire feeder KD 4000 D-11
- / 2-axis wire adjustment
- / Wire feeding (wire-Ø 0,8 - 1,2 mm / 0.03 - 0.05 in)
- / Balancer spring return
- / Orbital system controller FPA 3020/3030



/ Wire feeding, torch bracket from 0 - 45° stepless swivelling



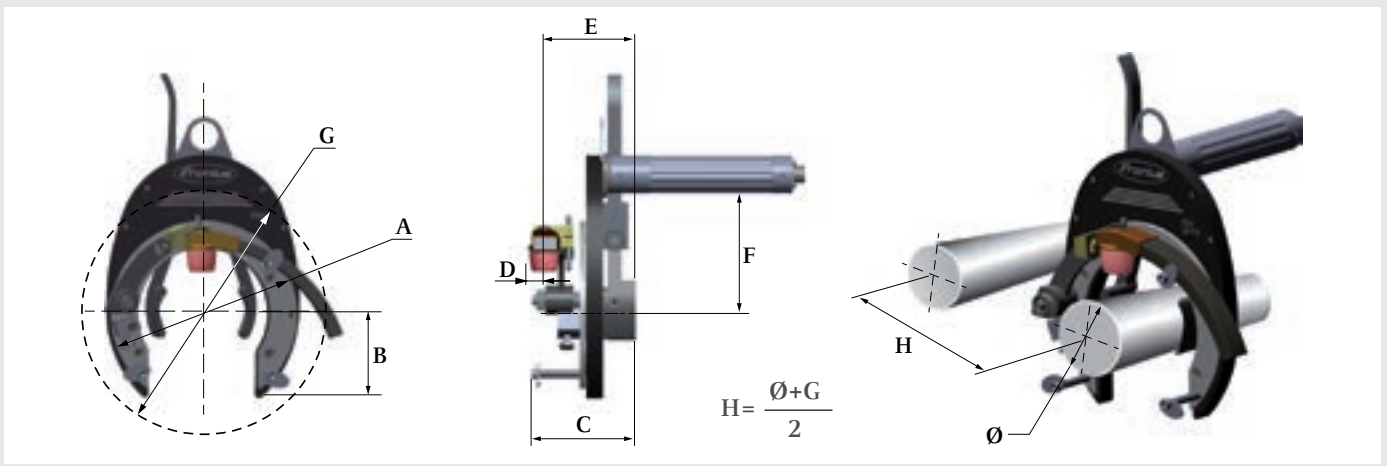
/ Reducer jaws depending on tube outer diameter



/ Transport case with trolley



/ Wire feeder KD 4000 D-11



ORBITAL WELD HEAD	FOH 8-40	FOH 10-76	FOH 20-114	FOH 40-168
Tube outer-Ø	8 - 40 mm (0.31 - 1.57 in)	10 - 76 mm (0.39 - 2.99 in)	20 - 114 mm (0.79 - 4.49 in)	40 - 168 mm (1.57 - 6.14 in)
A	90 mm	142 mm	200 mm	300 mm
B	40 mm (1.57 in)	64 mm (2.52 in)	90 mm (3.54 in)	134 mm (5.28 in)
C	95 mm (3.74 in)	108 mm (4.25 in)	111 mm (4.37 in)	111 mm (4.37 in)
D	7 mm (0.28 in)	7 mm (0.28 in)	7 mm (0.28 in)	10 mm (0.39 in)
E	77 mm (3.03 in)	91 mm (3.58 in)	91 mm (3.58 in)	91 mm (3.58 in)
F	66 mm (2.56 in)	90 mm (3.54 in)	130 mm (5.12 in)	185 mm (7.28 in)
G max.	120 mm (4.72 in)	230 mm (9.06 in)	260 mm (10.24 in)	400 mm (15.75 in)
Net weight (without hose pack)	1,87 kg (4.12 lb)	2,39 kg (5.27 lb)	3,97 kg (8.75 lb)	6,96 kg (15.34 lb)

ORBITAL WELDING TORCH	TTGO	TTWO
Duty cycle	DC 100% 60 A DC 60% 80 A DC 35% 100 A	DC 100% 200 A AC 100% 140 A
Electrode-Ø	2,4 / 3,2 mm (0.09 / 0.13 inch)	2,4 / 3,2 mm (0.09 / 0.13 inch)
Cooling	Gas	Water
Net weight hose pack	1,9 kg (4.19 lbs)	1,9 kg (4.19 lbs)

WIRE FEED	KD 4000 D-11
Wire speed	0,1 - 11 m (3.94 - 433.07 in) /min
Wire drive	4-rolls drive
Standard: Feed rollers Optional: Range of wire-Ø	1,0 H Profi 0,8 - 1,2 mm (0.03 - 0.05 in)
Wire coils-Ø	max. 300 mm (11.81 in)
Wire coil weight	max. 16 kg (35.27 lb)
Type of wire coils	all standardized coils
Dimensions l/w/h	650 x 290 x 410 mm (25.59 x 11.42 x 16.14 in)
Weight	15,7 kg (34.61 lb)



/ Watch the video on
our YouTube channel.

/ Perfect Welding / Solar Energy / Perfect Charging

THREE BUSINESS UNITS, ONE GOAL: TO SET THE STANDARD THROUGH TECHNOLOGICAL ADVANCEMENT.

What began in 1945 as a one-man operation now sets technological standards in the fields of welding technology, photovoltaics and battery charging. Today, the company has around 5,440 employees worldwide and 1,264 patents for product development show the innovative spirit within the company. Sustainable development means for us to implement environmentally relevant and social aspects equally with economic factors. Our goal has remained constant throughout: to be the innovation leader.

Further information about all Fronius products and our global sales partners and representatives can be found at www.fronius.com

Fronius India Private Limited
Plot no BG-71/2/B,
Pimpri Industrial Area,
MIDC- Bhosari,
Pune- 411026
India
Telephone + 91 98 20 60 52 07
sales.india@fronius.com
www.fronius.in

Fronius (Thailand) Ltd.
Pinthong Industrial Estate I
789/193 Moo 1, Sriracha,
Chonburi 20230
Building: P17/B1
Thailand
Telephone +66 (033) 047421
sales.Thailand@fronius.com
www.fronius.co.th

Fronius Middle East FZE
P.O. Box: 263241
Jebel Ali / JAFZA ONE BUILDING
Dubai / U.A.E
Telephone +971 (0) 56 499 8224
contact.middleeast@fronius.com
www.fronius.ae/pw

Fronius Canada Ltd.
2875 Argenta Road, Units 4,5 & 6
Mississauga, ON L5N 8G6
Canada
Telephone +1 905 288-2100
Fax +1 905 288-2101
sales.canada@fronius.com
www.fronius.ca

Fronius USA LLC
6797 Fronius Drive
Portage, IN 46368
USA
Telephone +1 877 FRONIUS
sales.usa@fronius.com
www.fronius-usa.com

Fronius UK Limited
Maidstone Road, Kingston
Milton Keynes, MK10 0BD
United Kingdom
Telephone +44 1908 512 300
Fax +44 1908 512 329
info-uk@fronius.com
www.fronius.co.uk

Fronius International GmbH
Froniusplatz 1
4600 Wels
Austria
Telephone +43 7242 241-0
Fax +43 7242 241-953940
sales@fronius.com
www.fronius.com