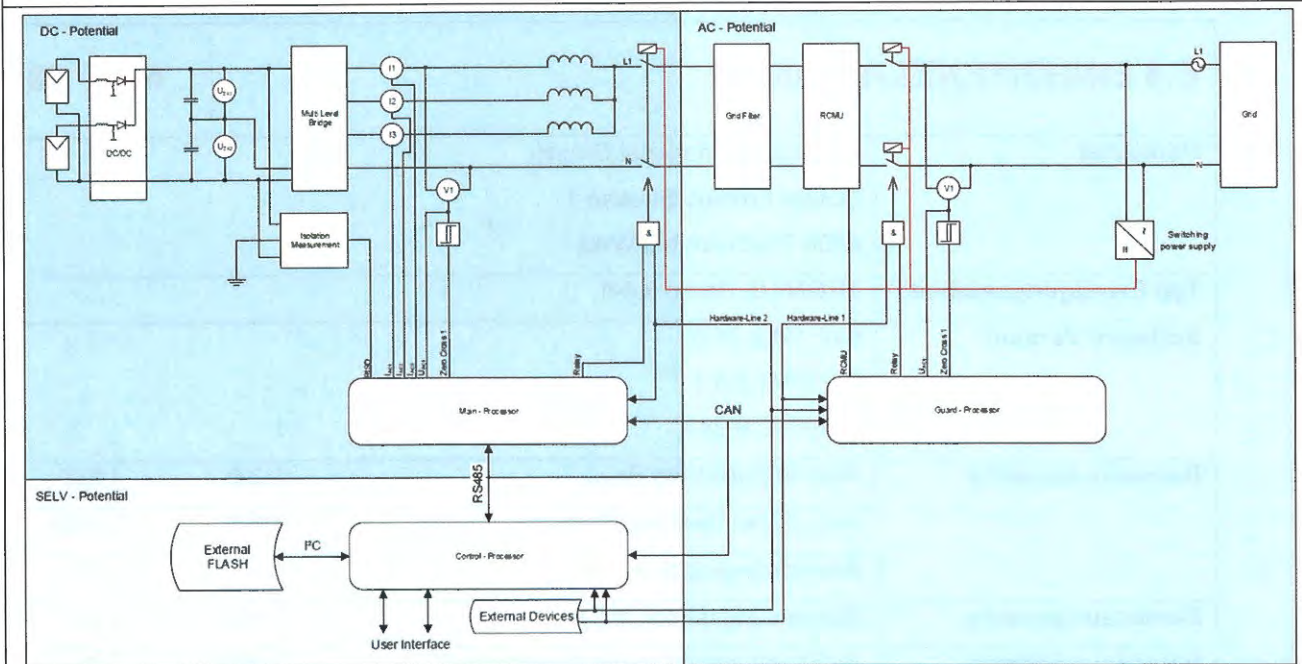




SHIFTING THE LIMITS

| E.4 EINHEITENZERTIFIKAT | | | Nr.: 2019-13 | | | | | | | | | | | | | | | | | | | | | | | | | | |
|--|---|---|--|--|--|------------------------------|--------|----------------|------------------|---------|-------------|---------|--------|-------------------------|-----------------|--------|--------|---------|--------|--------|--------|---------|--------|--|--|------|---------|--|--|
| Hersteller | Fronius International GmbH Günter Fronius Strasse 1 4600 Thalheim bei Wels | | | | | | | | | | | | | | | | | | | | | | | | | | | | |
| Typ Erzeugungseinheit | FRONIUS Primo 3.0-1 | | | | | | | | | | | | | | | | | | | | | | | | | | | | |
| Software Version | SW: V0.3.21.0 SW1: V1.2.0.1 SW2: V0.9.24.1 | | | | | | | | | | | | | | | | | | | | | | | | | | | | |
| Bemessungswerte | max. Wirkleistung $P_{E_{max}}$ | 3.0 | kW | | | | | | | | | | | | | | | | | | | | | | | | | | |
| | max. Scheinleistung $S_{E_{max}}$ | 3.0 | kVA | | | | | | | | | | | | | | | | | | | | | | | | | | |
| | Bemessungsspannung | 230 | V | | | | | | | | | | | | | | | | | | | | | | | | | | |
| Bemessungswerte | Bemessungsstrom (AC) I_r | 13.1 | A | | | | | | | | | | | | | | | | | | | | | | | | | | |
| Bemessungswerte | Anfangskurzschlusswechselstrom I_k'' | 38.0 | A | | | | | | | | | | | | | | | | | | | | | | | | | | |
| Netzanschlussregel | VDE-AR-N 4105:2018-11 „Erzeugungsanlagen am Niederspannungsnetz“ Technische Mindestanforderungen für Anschluss und Parallelbetrieb von Erzeugungsanlagen am Niederspannungsnetz | | | | | | | | | | | | | | | | | | | | | | | | | | | | |
| Prüfanforderung | DIN VDE V 0124-100 (VDE V 0124-100) „Netzintegration von Erzeugungsanlagen - Niederspannung“ Prüfanforderungen an Erzeugungseinheiten vorgesehen zum Anschluss und Parallelbetrieb am Niederspannungsnetz | | | | | | | | | | | | | | | | | | | | | | | | | | | | |
| Die oben bezeichnete Erzeugungseinheit erfüllt die Anforderungen der VDE-AR-N 4105:2018-11. | | | | | | | | | | | | | | | | | | | | | | | | | | | | | |
| Technische Daten | | | | | | | | | | | | | | | | | | | | | | | | | | | | | |
|  www.fronius.com | |    | <table border="1"> <tr> <td>UAC nom</td> <td>220 V</td> <td>230 V</td> <td>240 V</td> </tr> <tr> <td>fAC nom</td> <td colspan="3">50 / 60 Hz</td> </tr> <tr> <td>Grid</td> <td colspan="3">1~NPE</td> </tr> <tr> <td>IAC nom</td> <td>13.6 A</td> <td>13.1 A</td> <td>12.5 A</td> </tr> <tr> <td>IAC max</td> <td colspan="3">13.7 A</td> </tr> <tr> <td>Smax</td> <td colspan="3">3000 VA</td> </tr> </table> | | | UAC nom | 220 V | 230 V | 240 V | fAC nom | 50 / 60 Hz | | | Grid | 1~NPE | | | IAC nom | 13.6 A | 13.1 A | 12.5 A | IAC max | 13.7 A | | | Smax | 3000 VA | | |
| UAC nom | 220 V | 230 V | 240 V | | | | | | | | | | | | | | | | | | | | | | | | | | |
| fAC nom | 50 / 60 Hz | | | | | | | | | | | | | | | | | | | | | | | | | | | | |
| Grid | 1~NPE | | | | | | | | | | | | | | | | | | | | | | | | | | | | |
| IAC nom | 13.6 A | 13.1 A | 12.5 A | | | | | | | | | | | | | | | | | | | | | | | | | | |
| IAC max | 13.7 A | | | | | | | | | | | | | | | | | | | | | | | | | | | | |
| Smax | 3000 VA | | | | | | | | | | | | | | | | | | | | | | | | | | | | |
| Model No. Fronius Primo 3.0-1 Part No. 4.210.069 Ser. No. 19862027 | |   | <table border="1"> <tr> <td>$P_{max} (\cos \varphi=0.9)$</td> <td>2700 W</td> </tr> <tr> <td>$\cos \varphi$</td> <td>0.85-1 ind./cap.</td> </tr> <tr> <td>UDC mpp</td> <td>200 - 800 V</td> </tr> <tr> <td>UDC max</td> <td>1000 V</td> </tr> <tr> <td>IDC max +1 / IDC max +2</td> <td>12.0 A / 12.0 A</td> </tr> <tr> <td>Isc pv</td> <td>36.0 A</td> </tr> </table> | | | $P_{max} (\cos \varphi=0.9)$ | 2700 W | $\cos \varphi$ | 0.85-1 ind./cap. | UDC mpp | 200 - 800 V | UDC max | 1000 V | IDC max +1 / IDC max +2 | 12.0 A / 12.0 A | Isc pv | 36.0 A | | | | | | | | | | | | |
| $P_{max} (\cos \varphi=0.9)$ | 2700 W | | | | | | | | | | | | | | | | | | | | | | | | | | | | |
| $\cos \varphi$ | 0.85-1 ind./cap. | | | | | | | | | | | | | | | | | | | | | | | | | | | | |
| UDC mpp | 200 - 800 V | | | | | | | | | | | | | | | | | | | | | | | | | | | | |
| UDC max | 1000 V | | | | | | | | | | | | | | | | | | | | | | | | | | | | |
| IDC max +1 / IDC max +2 | 12.0 A / 12.0 A | | | | | | | | | | | | | | | | | | | | | | | | | | | | |
| Isc pv | 36.0 A | | | | | | | | | | | | | | | | | | | | | | | | | | | | |
| WLAN / LAN / Webservice Demand response modes (DRM) 0, and 5-8 ready | | AS/NZS 4777.2 Non-isolated inverter | | | | | | | | | | | | | | | | | | | | | | | | | | | |
| VDE 0126-1-1 VDE-AR-N 4105 | | CEI 0-21 Safety Class 1 | IP 65 | | | | | | | | | | | | | | | | | | | | | | | | | | |

Schematischer Aufbau



| | |
|---------------|---|
| Wirkungsweise | 1 phasiger netzgekoppelter Photovoltaik-Wechselrichter ohne galvanische Trennung und mit integriertem NA-Schutz |
|---------------|---|

Thalheim, 15.04.2019

Dieses Einheitszertifikat darf nicht in Ausschnitten verwendet werden.



FRONIUS INTERNATIONAL GMBH
 Günter Fronius-Str. 1, A-4400 Wöhrthalheim
 Tel: +43 / (0) 72 42 / 241-0, Fax: 47 8 25
 Feichtinger Josef, Firmen-Logo, Adresse